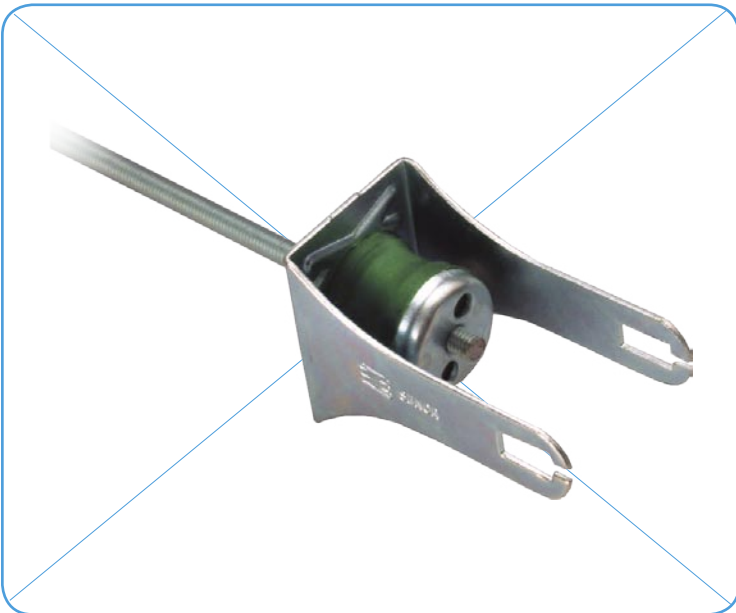


# MODEL 105

## RUBBER ACOUSTIC ISOLATOR (DETACHABLE CEILING)

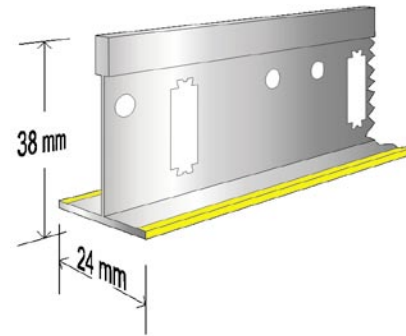
THE ONLY ISOLATOR IN THE WORLD FOR DETACHABLE CEILINGS that includes a levelling system. It incorporates an exclusive design enabling fast and simple adjustment to the T bars without the need for screws. Once the elastic body has been inserted and levelled with the levelling caps onto the threaded rod, the metal housing (previously inserted onto the T bar), can be fixed by means of the throat like opening.

The elastic component has an exclusive design and allows a meaningful improvement in performance at low frequencies (Hz) and enables a better and more secure fitting of the levelling cup, enhancing its performance in vibration reduction.



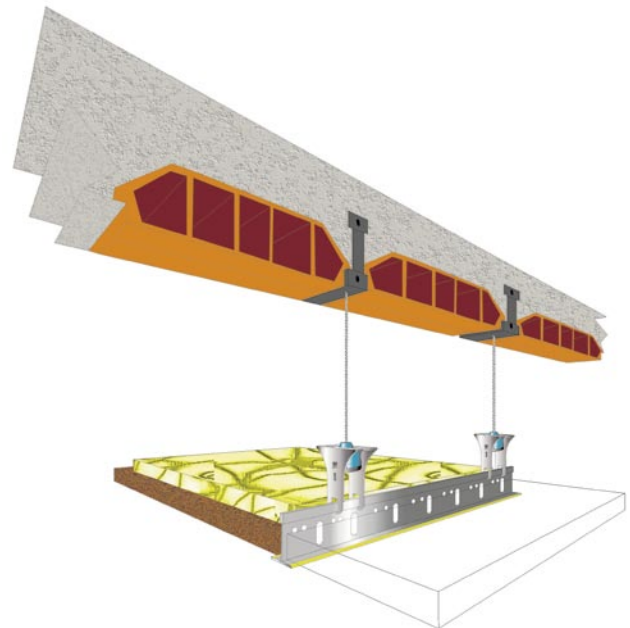
REF.	MODEL	FRAMING	PACK.	COLOR	METRIC	MIN-MAX (Kg) LOAD
SE-105/PC V	105	T-BARS	100 U/B	■	M-6/M-4	10-20
REF.	MODEL	FRAMING	PACK.	COLOR	HANGERS	MIN-MAX (Kg) LOAD
SE-105/PCC V	105	T-BARS	100 U/B	■	WIRE	10-20

### FRAMMINGS/CHANNELS



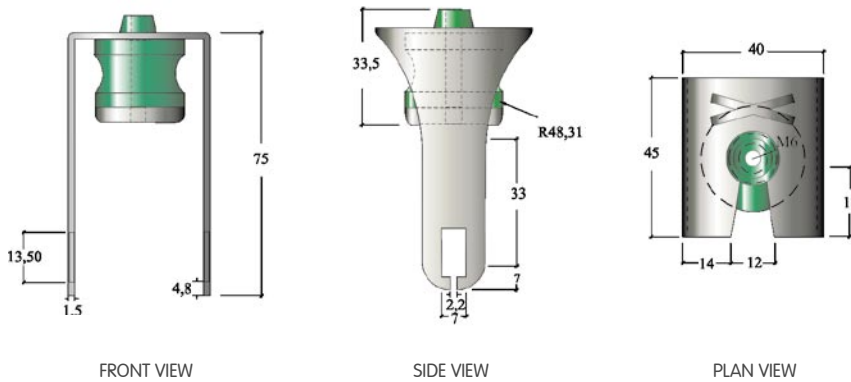
### RANGE OF APPLICATION

Acoustic, decorative suspended ceilings, etc.



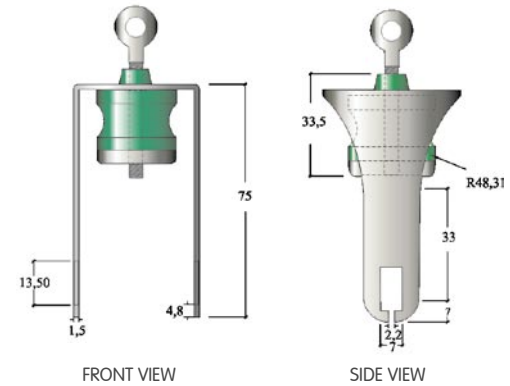
### DIMENSIONS SE-105/PC V

(Measurements expressed in millimetres)



### DIMENSIONS SE-105/PCC V

(Measurements expressed in millimetres)



### OPTIMUM LOAD RANGE

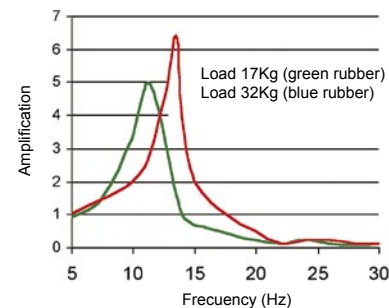
GREEN



(12-30) Kg

LOAD (Kg)	RESONANCE FREQUENCY (Hz)	RESONANCE AMPLIFICATION	ISOLATION THRESHOLD (Hz)
12,70	12,50	4,22	14,5
17,70	11,50	4,95	14,00
22,70	10,75	5,85	14,50
27,70	10,50	6,09	15,75
32,70	12,75	6,38	17,25

### TRANSMISSION PROPERTIES



### TESTS: MECHANICAL LOAD

**Description/Make:**  
RIEHLE Testing machine

**Code:**  
ME 035003

**Traceability/Date of calibration:**  
LABEIN / 13th May 1999

**Results obtained:**  
Sample isolator MOD. 105. Breaking load (kg) 100. Failure mode: the elastic rubber cylinder becomes detached from the metal housing.



Test arrangement.



Sample subjected to load of 50 Kg.



Sample subjected to load of 75 Kg.



Sample failure 100 kg.