

# MODEL 4360

## RUBBER ACOUSTIC ISOLATOR

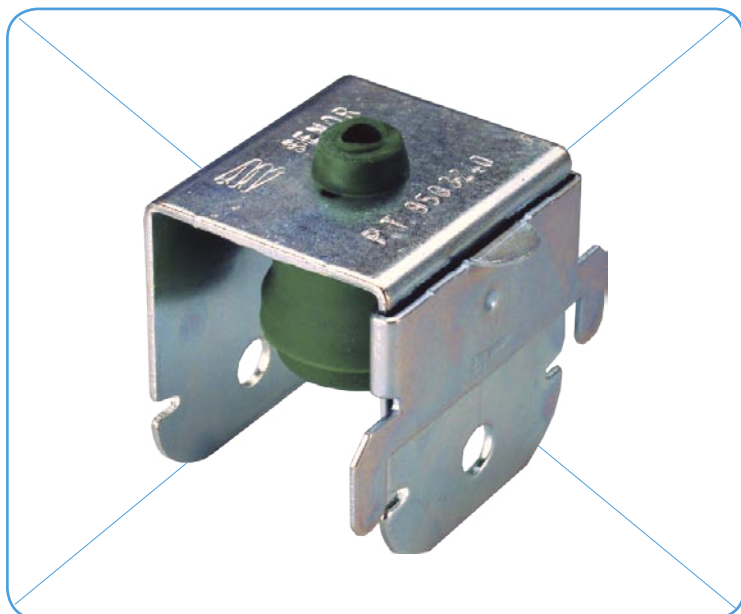
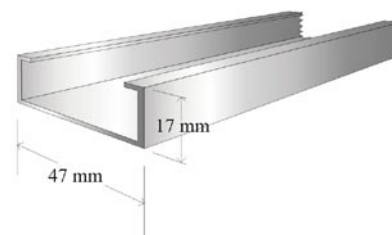
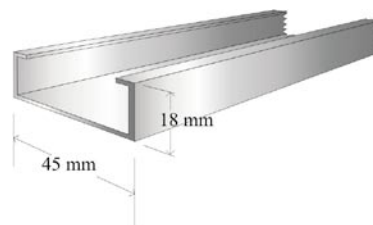
Ready for use with all 45 and 47 mm framings currently on the market. It has a unique means of facilitating levelling, thanks to its aperture, by means of which the isolator can be slid up the threaded rod towards the structure leaving, thus, the levelling cup free.

Its elastic component incorporates an exclusive design enabling a better and more secure fitting of the levelling cup, enhancing its performance in vibration reduction.

It has THE ONLY SECURITY DEVICE OF ITS KIND IN THE WORLD\* which helps in securing the framings from any alteration or deflection that might be produced by an excess load or due to fire exposure.

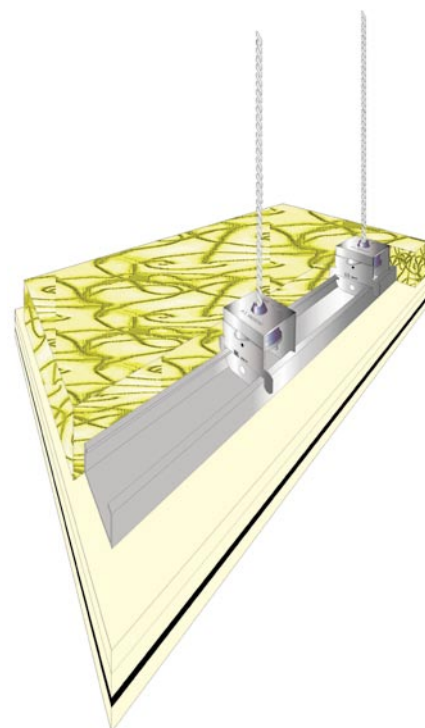
### FRAMMINGS/CHANNELS

Adapted for use with all 47 and 45 mm sections



### RANGE OF APPLICATION

Acoustic, decorative suspended ceilings, etc.



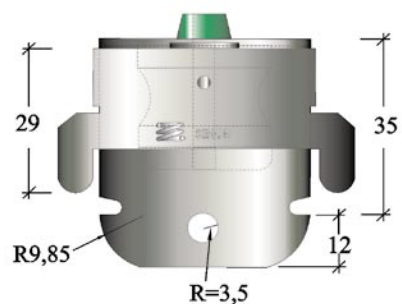
REF.	MODEL	FRAMING	PACK.	COLOR	METRIC	*SEC. DEV.	MIN-MAX (Kg) LOAD
SE-4360/47 V DS	4360	TC 47	100 U/B	■	M-6	1 DS	12-30
SE-4360/47 A DS	4360	TC 47	100 U/B	■	M-6	1 DS	30-50
SE-4360/47 V DS (2)	4360	TC 47	100 U/B	■	M-6	2 DS	12-30
SE-4360/47 A DS (2)	4360	TC 47	100 U/B	■	M-6	2 DS	30-50

\* 1 DS = 1 security device; 2 DS = 2 security device.

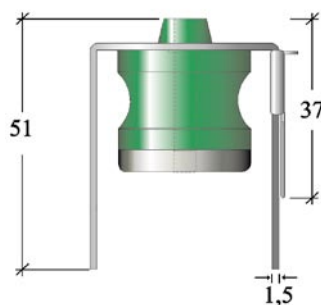
## DIMENSIONS

### Mod. 4360 (TC 47)

(Measurements expressed in millimetres)



FRONT VIEW



SIDE VIEW



PLAN VIEW

## OPTIMUM LOAD RANGE

### GREEN



(12-30) Kg

LOAD (Kg)	RESONANCE FREQUENCY (Hz)	RESONANCE AMPLIFICATION	ISOLATION THRESHOLD (Hz)
12,70	12,50	4,22	14,5
17,70	11,50	4,95	14,00
22,70	10,75	5,85	14,50
27,70	10,50	6,09	15,75
32,70	12,75	6,38	17,25

### BLUE



(30-50) Kg

LOAD (Kg)	RESONANCE FREQUENCY (Hz)	RESONANCE AMPLIFICATION	ISOLATION THRESHOLD (Hz)
36,16	9,83	3,82	16,40
41,16	9,65	3,63	15,90
46,16	10,59	2,83	16,03
51,16	10,90	2,91	16,83
56,16	11,96	2,26	15,42

## TESTS: MECHANICAL LOAD

**Description/Make:**  
RIEHLE Testing machine

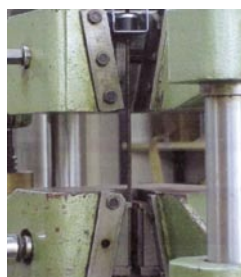
**Code:**  
ME 035003

**Traceability/Date of calibration:**  
LABEIN / 13th May 1999

**Results obtained:**  
Sample isolator MOD. 4360.  
Breaking load (kg) 296. **Failure mode: breakage of profile guides.**



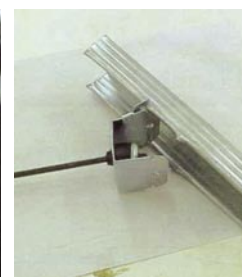
Sample test object.



Test arrangement.



Sample subjected to load of 300 kg.



Failure mode: Breakage of profile guides.