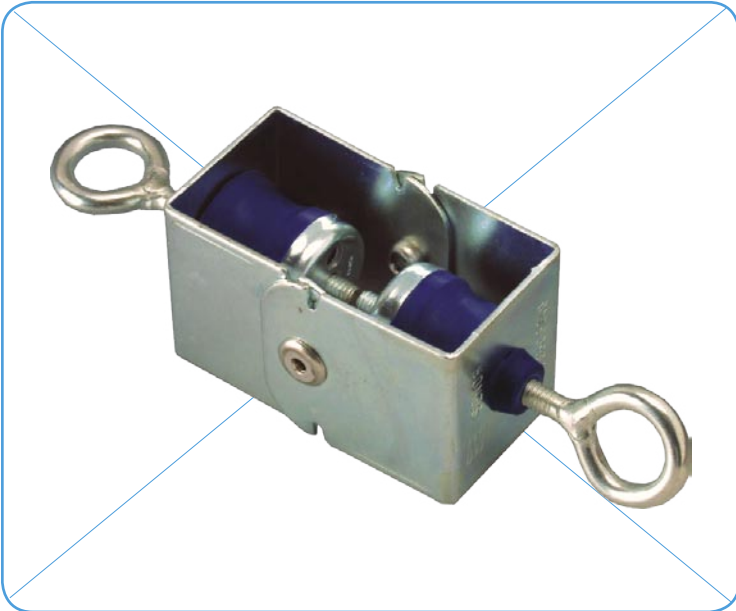


MODEL A4 C2

ISOLATOR WITH RUBBER

MULTIELASTIC, with a rotating system for adjustment and for correcting the different angle positions which can arise when mounting, improving the performance of the plastic body by preventing it from functioning under shear stress. It incorporates an original system which improves the frequency performance (Hz), formed of two apposing elastic cylinders in with two rod exit points, one towards the structural slab and the other towards the suspended part.

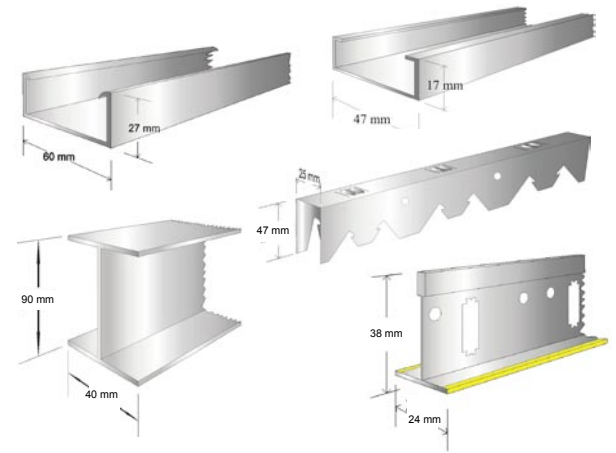
Its elastic component incorporates an exclusive design enabling a more secure fit of the cap, thus enhancing its performance in reducing vibrations.



REF.	MODEL	FRAMING	PACK.	COLOR	METRIC	MIN-MAX (Kg) LOAD
SE-A4 60 V C2	A-4	ANY	50 U/C	■	M-6	12-30
SE-A4 70 A C2	A-4	ANY	50 U/C	■	M-6	30-50

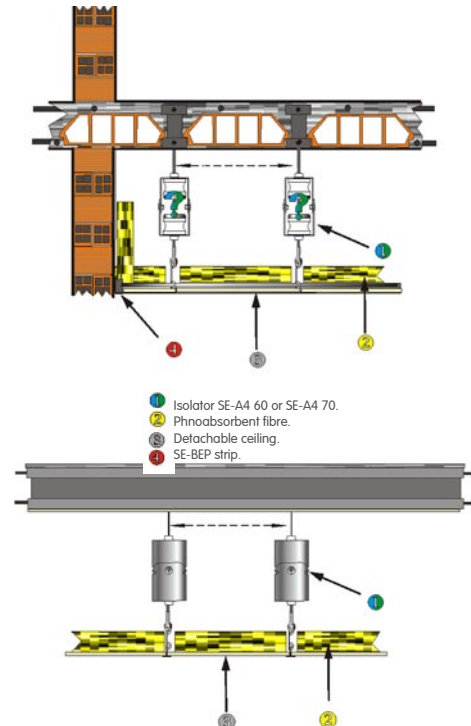
FRAMMINGS/CHANNELS

All FRAMMINGS/CHANNELS



RANGE OF APPLICATION

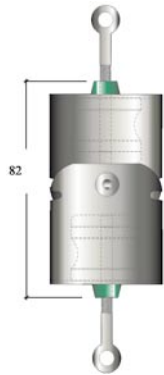
Suspended ceilings, air ducts, overhead machine frames, etc.



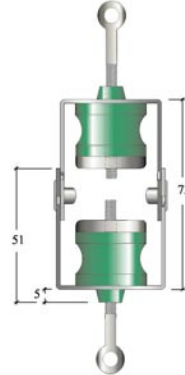
DIMENSIONS

Mod. A4 C2

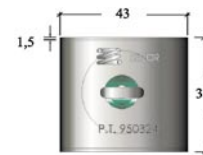
(Measurements expressed in millimetres)



FRONTAL VIEW



SIDE VIEW



PLAN VIEW

OPTIMUM LOAD RANGE

GREEN



(12-30) Kg

LOAD (Kg)	RESONANCE FREQUENCY (Hz)	RESONANCE AMPLIFICATION	ISOLATION THRESHOLD (Hz)
16,16	13,80	3,27	19,75
21,16	11,70	3,86	18,67
26,16	10,73	3,92	16,70
31,16	9,83	3,81	16,66

BLUE



(30-70) Kg

LOAD (Kg)	RESONANCE FREQUENCY (Hz)	RESONANCE AMPLIFICATION	ISOLATION THRESHOLD (Hz)
31,16	16,30	4,81	18,66
36,16	15,83	3,82	17,40
61,16	12,76	2,97	16,42
71,16	13,25	2,98	15,75

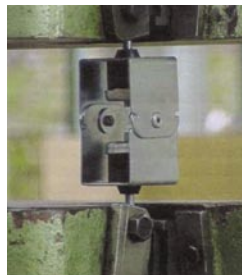
TESTS: MECHANICAL LOAD

Description/Make:
RIEHLE Testing machine

Code:
ME 035003

Traceability/Date of calibration:
LABEIN / 13th May 1999

Results obtained:
Sample isolator MOD. A4. Breaking load 368 Kg. **Failure mode: breakage of one of the caps.**



Test arrangement.



Sample subjected to load of 300 kg.



Sample subjected to load.