

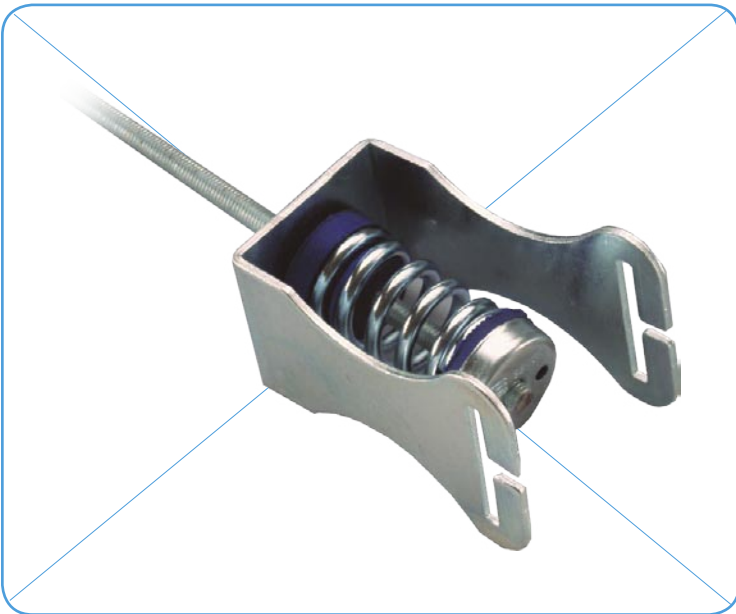
# MODEL STRIB CAB

## RUBBER AND SPRING ACOUSTIC ISOLATOR

THE ONLY ISOLATOR IN THE WORLD FOR LARGE SPAN STRUCTURES that includes a levelling system.

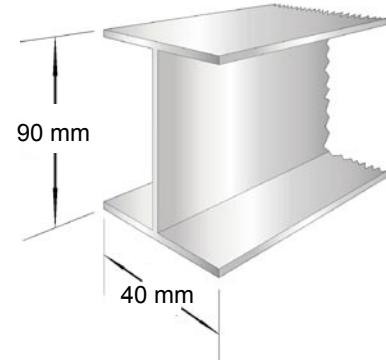
It has an exclusive design and an unrivalled security system, enabling both fast and simple adjustment to the I studs without need of screws. Once the elastic part has been introduced onto the threaded rod and levelled, the metal housing (previously placed onto the I stud), can be lifted and fitted.

The elastic component allows an important improvement in performance at low frequencies (Hz), by combining soft materials (EPDM-rubber) with a steel spring.



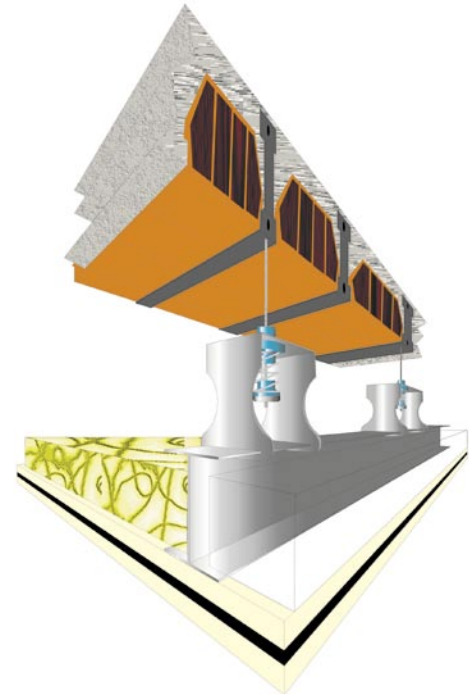
REF.	MODEL	FRAMING	PACK.	COLOR	METRIC	MIN-MAX (Kg) LOAD
STRIB CAB SE-25 G	SC	I STUD	50 U/B	■	M-6	12-30
STRIB CAB SE-50 V	SC		50 U/B	■	M-6	30-50
STRIB CAB SE-60 A	SC		50 U/B	■	M-8	50-80
STRIB CAB SE-100 R	SC		50 U/B	■	M-8	80-120

### FRAMMINGS/CHANNELS



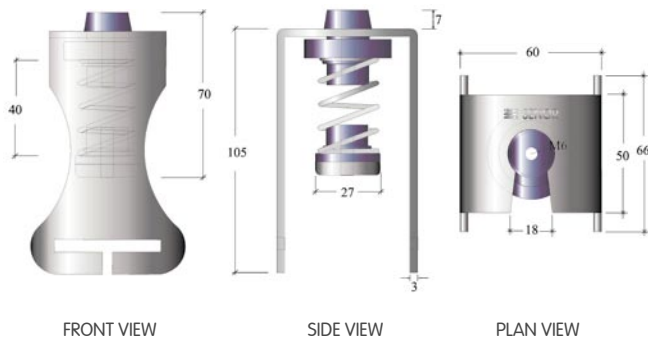
### RANGE OF APPLICATION

Acoustic, decorative suspended ceilings, etc.



## DIMENSIONS Mod. STRIB CAB

(Measurements expressed in millimetres)



FRONT VIEW

SIDE VIEW

PLAN VIEW

## OPTIMUM LOAD RANGE

### GREY



(12-30) Kg

LOAD (Kg)	RESONANCE FREQUENCY (Hz)	RESONANCE AMPLIFICATION	ISOLATION THRESHOLD (Hz)
16,32	6,72	3,58	11,44
21,32	6,01	3,95	11,21
26,32	6,31	3,98	11,56
31,32	4,50	2,45	9,38

### GREEN



(30-50) Kg

LOAD (Kg)	RESONANCE FREQUENCY (Hz)	RESONANCE AMPLIFICATION	ISOLATION THRESHOLD (Hz)
31,32	6,31	3,98	11,56
36,32	4,86	4,93	9,78
41,32	4,87	4,73	9,03
51,32	4,95	3,89	8,00

### RED



(80-120) Kg

LOAD (Kg)	RESONANCE FREQUENCY (Hz)	RESONANCE AMPLIFICATION	ISOLATION THRESHOLD (Hz)
70	5,25	6,86	8,30
90	5,00	5,03	8,00
100	4,75	5,47	7,20
110	4,60	9,18	6,60

### BLUE



(50-80) Kg

LOAD (Kg)	RESONANCE FREQUENCY (Hz)	RESONANCE AMPLIFICATION	ISOLATION THRESHOLD (Hz)
51,32	4,65	3,89	9,79
60,32	4,87	3,69	9,01
70,32	4,95	3,50	8,00
80,32	5,51	3,67	7,44

## TESTS: MECHANICAL LOAD

### Description/Make:

RIEHLE Testing machine

### Code:

ME 035003

### Traceability/Date of calibration:

LABEIN / 28th April 2003

### Results obtained:

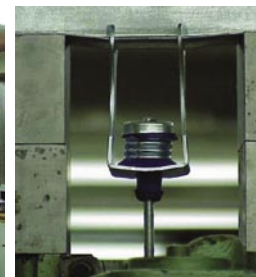
Sample isolator MOD. SC. Breaking load (kg) 580. **Failure mode: the thread of the upper washer for the spring breaks and the spring comes out.**



Sample isolator.



Sample test object.



Deflection of the cap and rail.



Detail following breakage.