

MODEL TRN

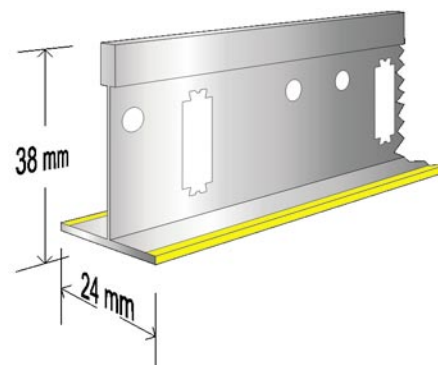
LEVELLING CLIP WITH THERMAL BREAK

For detachable ceilings, with a rotating bush made of a polypropylene coated steel nut which channels the threaded rod. The clip can be levelled with a simple turn of the bush

AVAILABLE in M4, M6 or quick wire hangers.

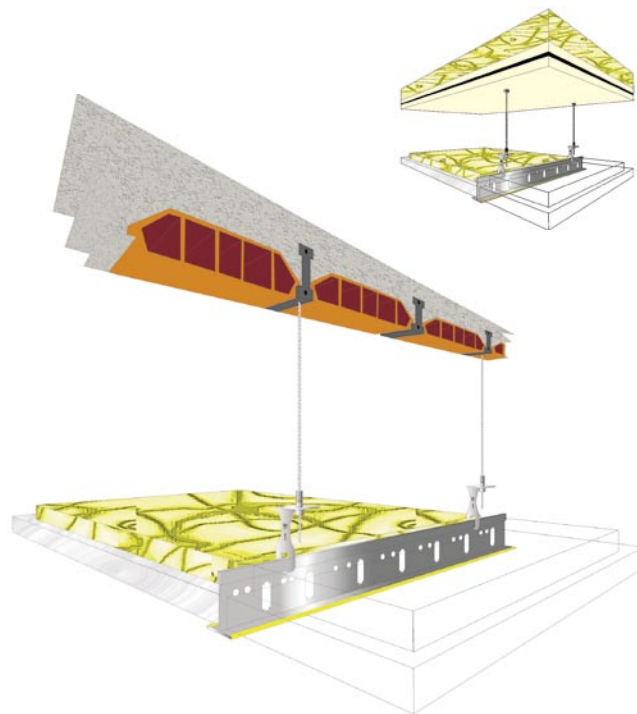


FRAMMINGS/CHANNELS



RANGE OF APPLICATION

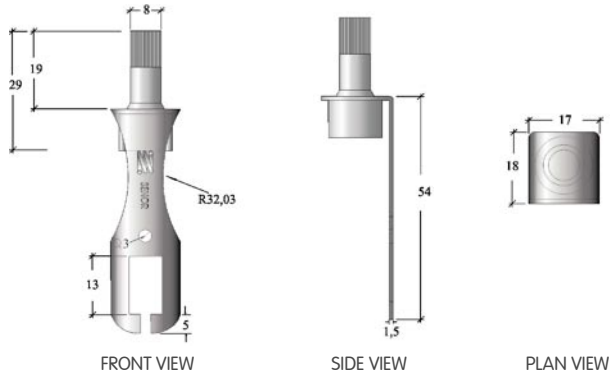
Acoustic, decorative suspended ceilings, etc.



REF.	MODEL	FRAMING	PACKAGING	METRIC
SE-TRN/70	TRN	T-BARS	200 U/C	M-6/M-4 W.5,32
REF.	MODEL	FRAMING	PACKAGING	HANGERS
SE-TRN/70 C	TRN	T-BARS	100 U/B	WIRE

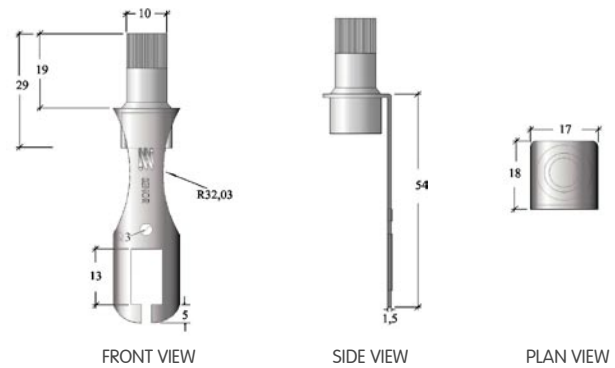
DIMENSIONS SE-TRN M4

(Measurements expressed in millimetres)

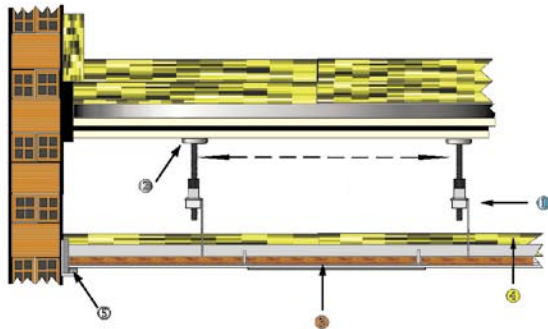


DIMENSIONS SE-TRN M6

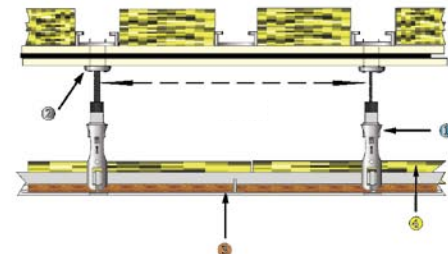
(Measurements expressed in millimetres)



MODE OF APPLICATION



1. Hanging bracket SE-TRN/70.
2. Levelling cap N (m 6).
3. Detachable ceiling.
4. Phonoabsorbent fibre.
5. SE-BEP strip.



TESTS: MECHANICAL LOAD

Description/Make:
RIEHLE Testing machine

Code:
ME 035009

Traceability/Date of calibration:
LABEIN / 13th May 1999

Results obtained:
Sample isolator MOD. TRN. Breaking load (kg) 85. **Failure mode: the metal bracket opens and detaches from the profile.**



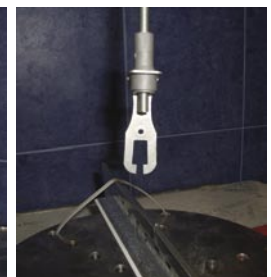
Test arrangement.



Sample subjected to load of 25 Kg.



Sample subjected to load of 75 Kg.



Sample subjected to load of 85 Kg. The bracket comes off.